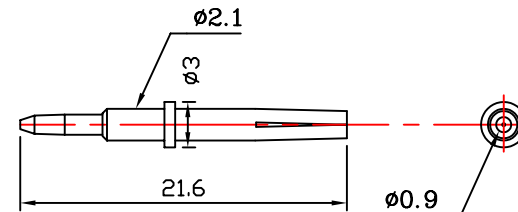


MATERIAL & FINISH

BODY : ZINC ALLOY, NICKEL PLATING  
 PIN : BRASS, GOLD PLATING  
 DIELECTRIC : BOM  
 WASHER : BRASS, NICKEL PLATING  
 FERRULE : BRASS, NICKEL PLATING  
 SPRING : SK-5  
 GASKET : SI RUBBER



SPECIFICATION

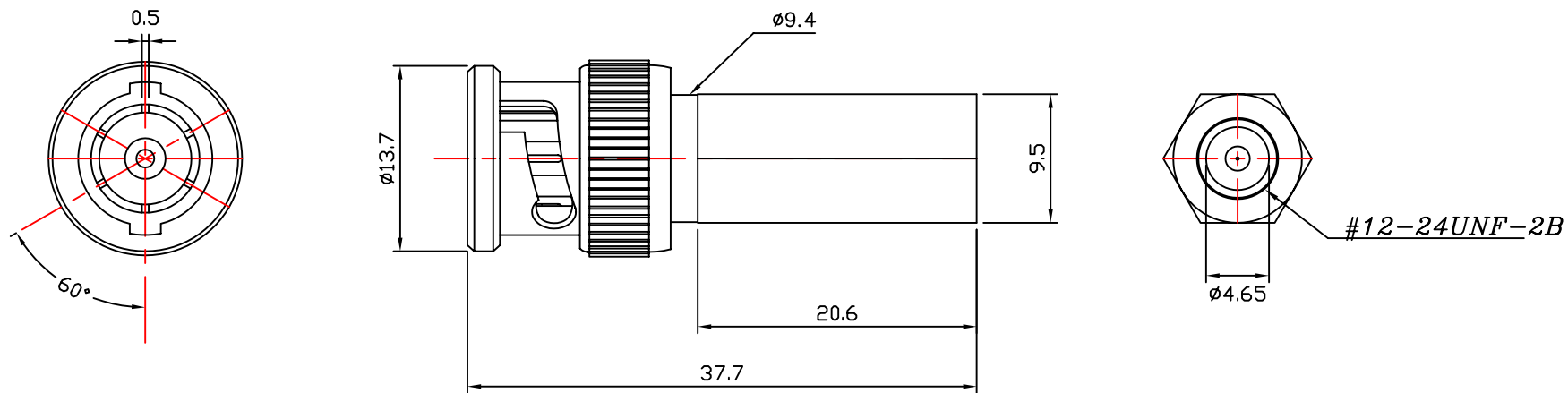
IMPEDANCE : 50 $\Omega$   
 VOLTAGE RATING : 500V RMS  
 FREQUENCY RANGE : 0~4 GHz  
 INTERFACE PER MIL-C-39012C  
 FOR RG-58 CABLE

**YR** **YEAR ROUND Technology Corp.**  
 TEL: 886 2 22901234 www.yr.com.tw

Title	BNC TWIST-ON PLUG(RG-58)			
P/N	5BP-03	Checked By	Drawn By	Approved By
D/N	5BP-03,R	柯 92,09,30 宏融	趙 92,09,30 龍鴻	白 92,09,30 添發
SCALE	2:1			
UNIT		MM		

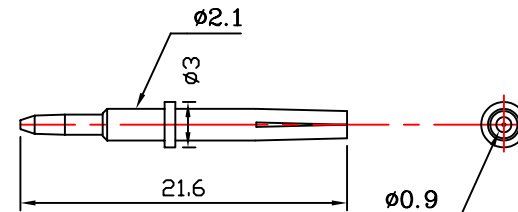
Note:  
 Tolerances:  
 X.  $\pm 0.5$   
 X.X  $\pm 0.3$   
 X.XX  $\pm 0.2$

Revised dimensions and description



MATERIAL & FINISH

BODY : ZINC ALLOY, NICKEL PLATING  
 PIN : BRASS, GOLD PLATING  
 DIELECTRIC : BOM  
 WASHER : BRASS, NICKEL PLATING  
 FERRULE : BRASS, NICKEL PLATING  
 SPRING : SK-5  
 GASKET : SI RUBBER



SPECIFICATION

IMPEDANCE : 75Ω  
 VOLTAGE RATING : 500V RMS  
 FREQUENCY RANGE : 0~4 GHz  
 INTERFACE PER MIL-C-39012C  
 FOR RG-58 CABLE



**YEAR ROUND Technology Corp.**

TEL: 886 2 22901234 www.yr.com.tw

Title	BNC TWIST-ON PLUG(RG-58)			
P/N	7BP-03	Checked By	Drawn By	Approved By
D/N	7BP-03,R	柯 92,09,30 宏融	趙 92,09,30 龍鴻	白 92,09,30 添發
SCALE	2:1			
UNIT		MM		

Note:  
 Tolerances:  
 X. ±0.5  
 X.X ±0.3  
 X.XX±0.2

Revised dimensions and description