

RECOMMENDED PC BOARD LAYOUT
WITHOUT MOUNTING POSTS

RECOMMENDED MOUNTING HOLE
MAXIMUM PANEL THICKNESS: 5.5MM

MATERIAL & FINISH

- ① CENTER CONTACT : BRONZE, GOLD PLATING
- ② BODY : ZINC ALLOY NICKEL PLATING
- ③ INSULATOR : TPX



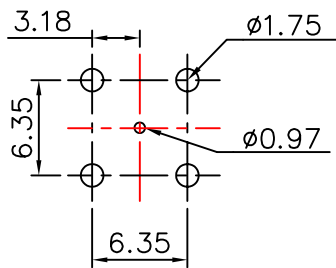
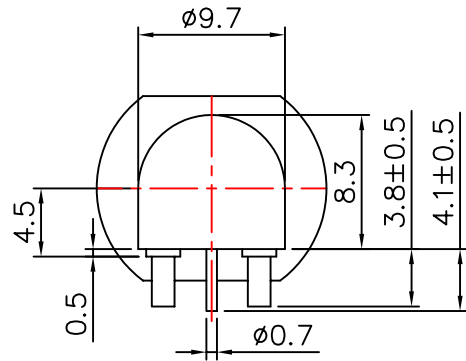
YEAR ROUND Technology Corp.

TEL: 886 2 22901234 www.yr.com.tw

Title	50 OHM BNC R/A PCB MOUNT JACK METAL BODY			
P/N	5BR-41031	Checked By	Drawn By	Approved By
D/N	5BR-41031,R	柯 93,06,08 宏融	趙 93,06,08 龍鴻	白 93,06,08 添發
SCALE	2:1	REV	2	
UNIT		MM		

Note:
Tolerances:
X. ±0.5
X.X ±0.3
X.XX ±0.2

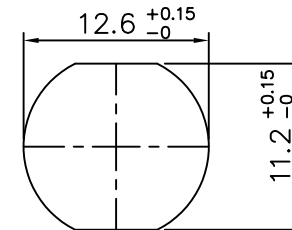
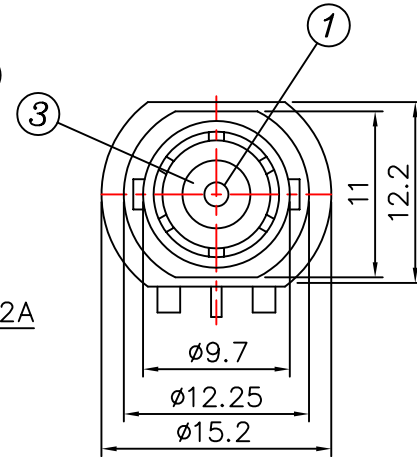
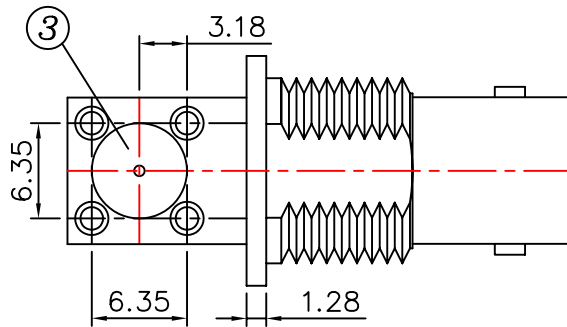
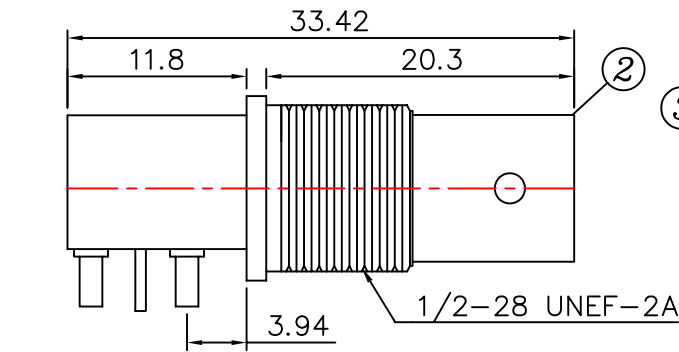
Revised dimensions and description



RECOMMENDED PC BOARD LAYOUT
WITHOUT MOUNTING POSTS

MATERIAL & FINISH

- ① CENTER CONTACT : BRONZE, GOLD PLATING
- ② BODY : ZINC ALLOY NICKEL PLATING
- ③ INSULATOR : TPX



RECOMMENDED MOUNTING HOLE
MAXIMUM PANEL THICKNESS: 5.5MM



YEAR ROUND Technology Corp.

TEL: 886 2 22901234 www.yr.com.tw

Title	75 OHM BNC R/A PCB MOUNT JACK METAL BODY			
P/N	7BR-41031	Checked By	Drawn By	Approved By
D/N	5BR-41031,R	柯 93,06,08 宏融	趙 93,06,08 龍鴻	白 93,06,08 添發
SCALE	2:1			
UNIT		MM		

Note:
Tolerances:
X. ±0.5
X.X ±0.3
X.XX±0.2

Revised dimensions and description