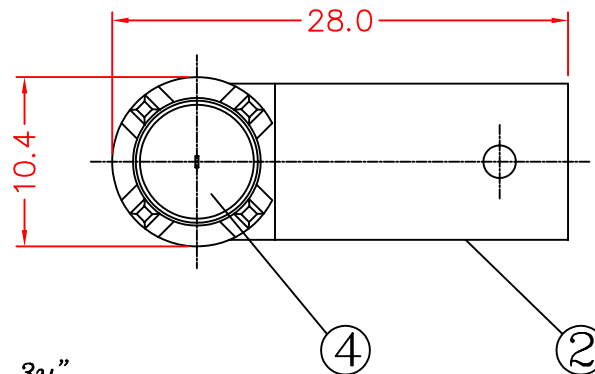
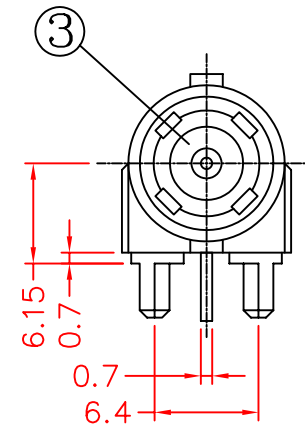
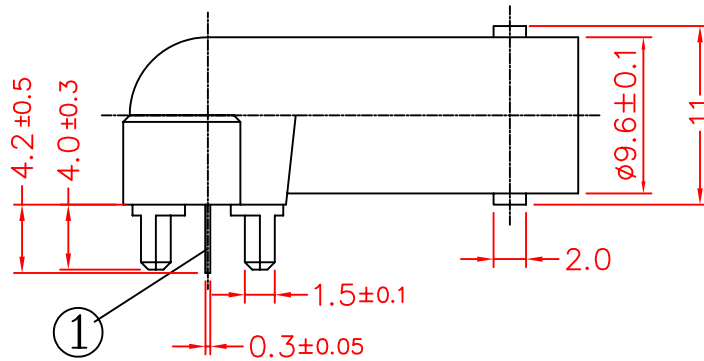






RECOMMENDED PC BOARD LAYOUT  
WITHOUT MOUNTING POSTS

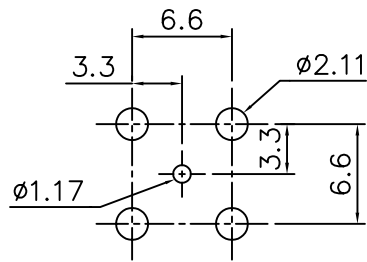
MATERIAL & FINISH

- ① CENTER CONTACT :BRONZE,GOLD PLATING 3u"
- ② BODY :ZINC ALLOY NICKEL PLATING
- ③ INSULATOR :TPX
- ④ INSULATOR :TEFLON



Note:  
Tolerances:  
X. ±0.5  
X.X ±0.3  
X.XX±0.2

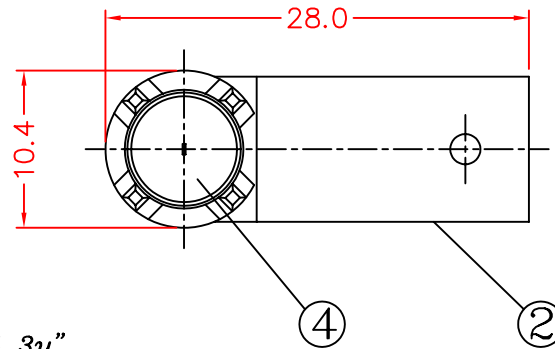
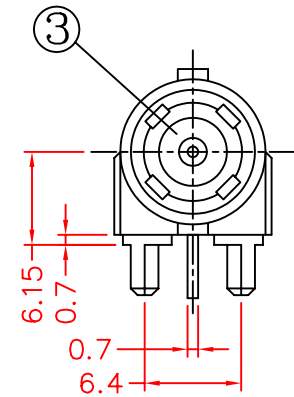
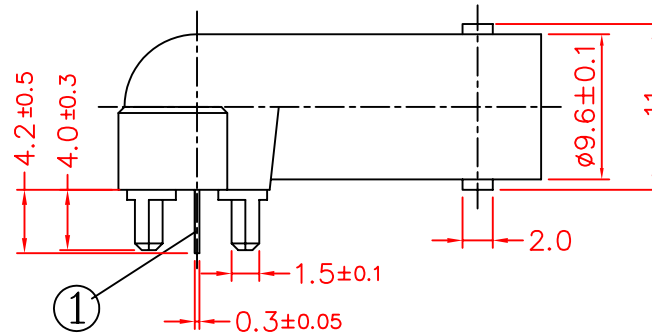
 <b>YEAR ROUND Technology Corp.</b> TEL: 886 2 22901234    www.yr.com.tw		Title			50 OHM BNC R/A CONNECTORS				
		P/N	5BR-L52		Checked By	Drawn By	Approved By		
D/N	5BR-L52,R		 柯 宏融 93,06,08	 趙 龍鴻 93,06,08	 白 添發 93,06,08	SCALE	2:1	REV	2
UNIT		MM							



RECOMMENDED PC BOARD LAYOUT  
WITHOUT MOUNTING POSTS

MATERIAL & FINISH

- ① CENTER CONTACT :BRONZE,GOLD PLATING 3u"
- ② BODY :ZINC ALLOY NICKEL PLATING
- ③ INSULATOR :TPX
- ④ INSULATOR :TEFLON



Note:  
Tolerances:  
X. ±0.5  
X.X ±0.3  
X.XX±0.2

Revised dimensions and description



**YEAR ROUND Technology Corp.**

TEL: 886 2 22901234 www.yr.com.tw

Title	75 OHM BNC R/A CONNECTORS			
P/N	7BR-L52	Checked By	Drawn By	Approved By
D/N	5BR-L52,R	柯 93,06,08 宏融	趙 93,06,08 龍鴻	白 93,06,08 添發
SCALE	2:1			
UNIT		MM		