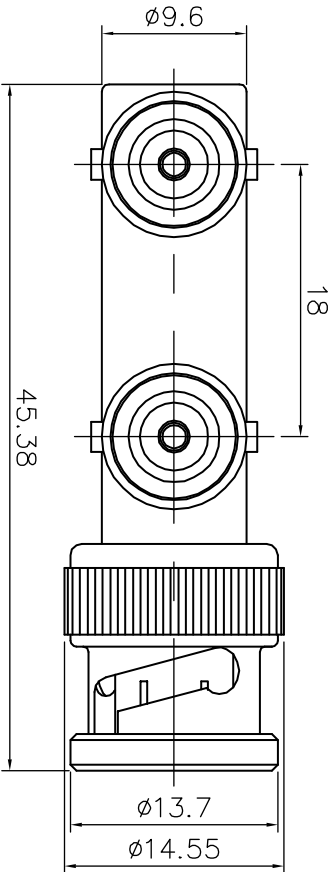


MATERIAL & FINISH

- ① MALE CONTACT: BRASS / GOLD PLATED
- ② FEMALE CONTACT: P.BRONZE / GOLD PLATED
- ③ INSULATOR : PE-606
- ④ BODY: ZINC ALLOY /NICKEL PLATED
- ⑤ COVER: ZINC ALLOY /NICKEL PLATED

SPECIFICATION

IMPEDANCE : 50 OHMS.  
 VOLTAGE RATING : 500 V RMS.  
 FREQUENCY RANGE : 0~4 GHz



尺寸修正及說明	
Revised dimensions and description	
編號	
NO.	

Note:  
 Tolerances:  
 X. ±0.5  
 X.X ±0.3  
 X.XX ±0.2

 <b>益睿科技股份有限公司</b> YEAR ROUND TECHNOLOGY CORPORATION TEL: 886 2 22901234 E-MAIL: yearound@yr.com.tw		品名	BNC "F" TYPE ADAPTER		
		Title	BNC "F" TYPE ADAPTER		
件號	5BF-01	設計	柯宏融	繪圖	趙龍鴻
P/N	5BF-01	Checked By	柯宏融	Drewed By	趙龍鴻
圖號	5BF-01,R	校對/審核	白添發		
D/N	5BF-01,R	Version	2		
比例	2:1	單位	MM		
SCALE	2:1	REV	2		